

 Aliaxis



FRIDURIT®
SINK ELEMENT

made of Technical Ceramics

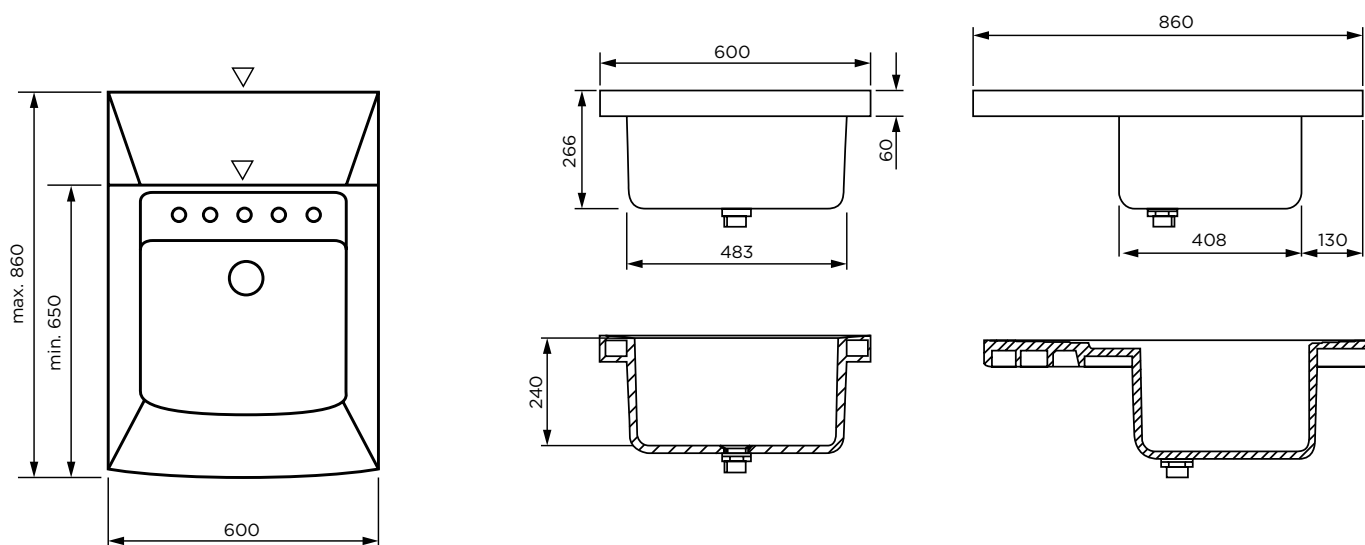
www.friatec.com/ceramics

FRIDURIT® TECHNICAL CERAMICS SINK MODULE

The FRIDURIT laboratory sink element made of Technical Ceramics can be integrated just where access to water is required. The pleasing design enables a clear segmentation of wet areas and a differentiation to conventional sinks.

DIMENSIONS

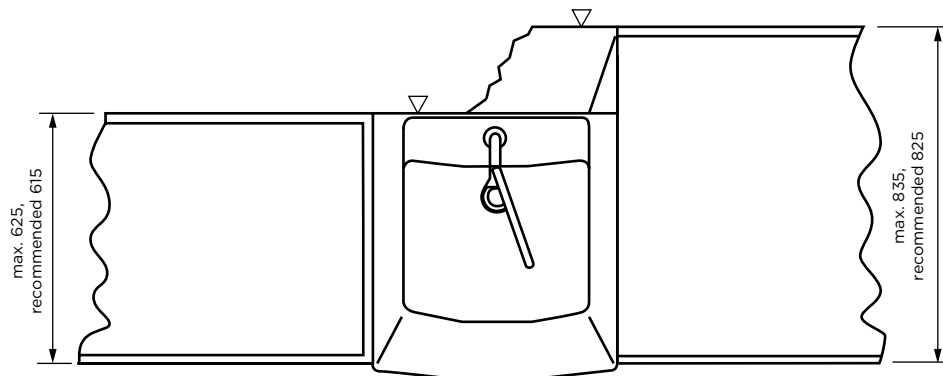
The sink element can be adjusted in depth according to your requirements from min. 650 mm to max. 860 mm.



**A unique design
for your daily work
in laboratories**

ARRANGEMENT EXAMPLES

The depth of the adjacent benchtops is flexible from 615 mm to max. 835 mm.



TECHNICAL CERAMICS

Laboratory work surfaces are exposed to extreme strains. FRIDURIT Technical Ceramics products are tuned optimally to the work processes in your laboratory and withstand all strains and stresses. FRIDURIT laboratory benchtops and sinks stay as good as new, even when permanently subjected to chemical influences and high thermal or mechanical stresses such as scratching, scouring and leaning processes.

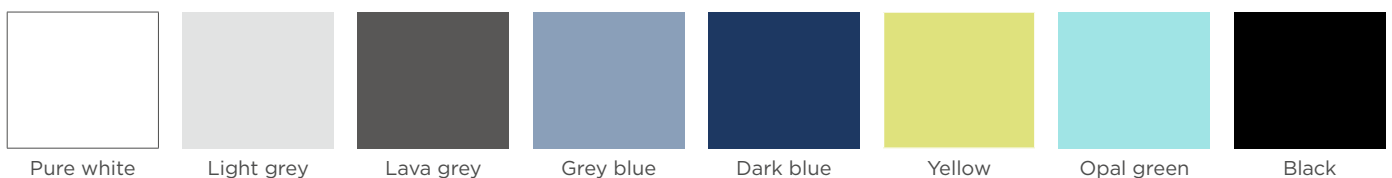
Technical Ceramics is:

- easy to clean
- resistant to chemicals
- microbiologically pure
- scratch-proof
- heat resistant
- environmentally compatible

GLAZE COLOURS

FRIDURIT sink elements are available in many colours. Here you find a selection of glaze colours available. The sink module also comes in black-speckled glazing.

The samples shown are not binding and are only a guide to the colour of the material. Ceramic colour samples are available on request.



Aliaxis

FRIATEC Aktiengesellschaft – Ceramics Division
Steinzeugstraße 50 – 68229 Mannheim – Germany
Phone +49 621 486 1879 – Fax +49 621 486 1605
info-fridurit@friatec.de

www.friatec.com/ceramics

